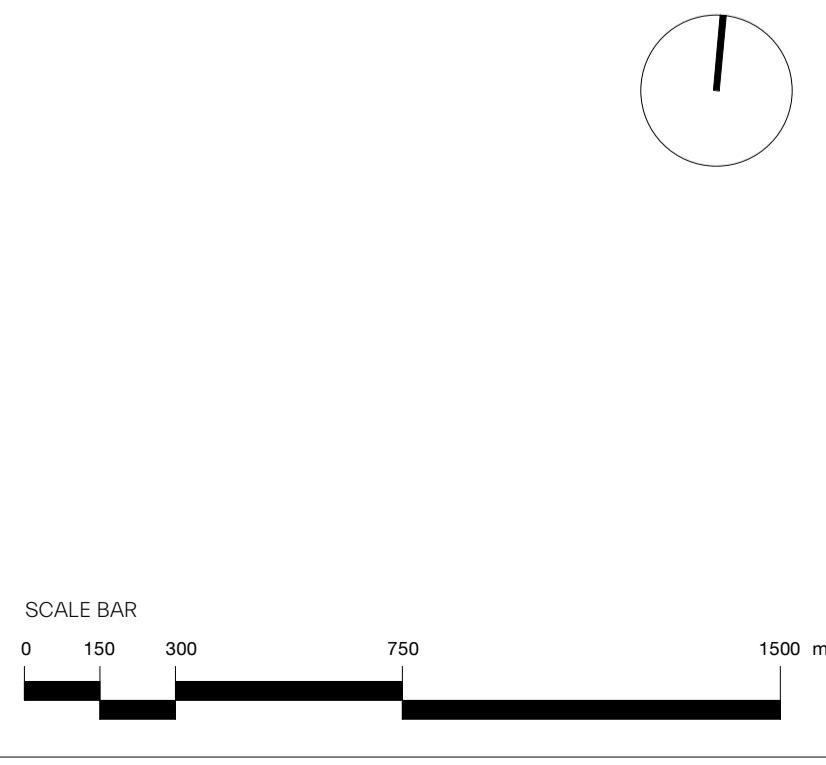
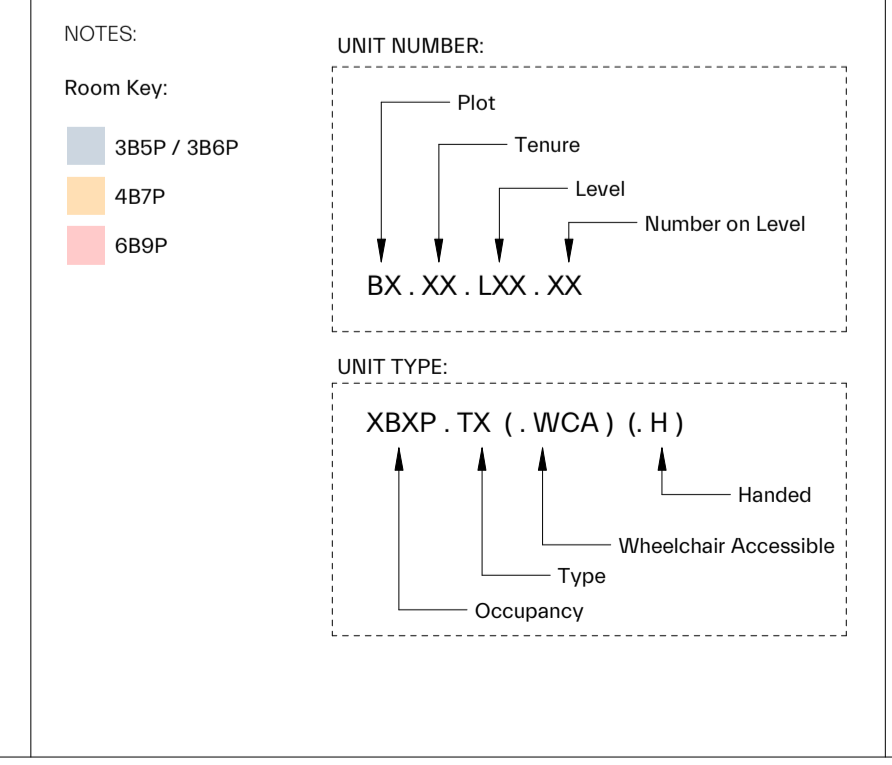


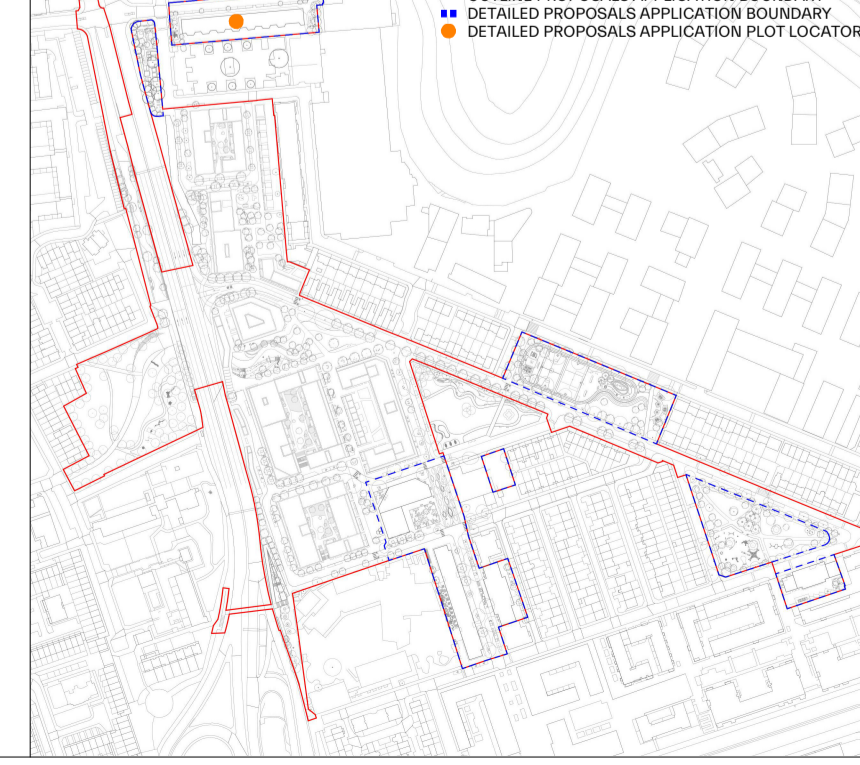
1 BJ PLN 00
06170 1 : 150

SUPPLEMENTARY INFORMATION:
 These drawings reflect the current position of the scheme development at RIBA Stage 2, they should be read in conjunction with the following information prepared by Morris+Company:
 - Aberfeldy Village, Phase A, Design and Access Statement
 Drawings should be read in conjunction with information prepared by other consultants (where applicable):
 - Landscape Design Drawings (LDA)
 - Structural Engineers Drawings and Specification. (MEINHARDT)
 - MEP Engineers Drawings and Specification. (MEINHARDT)

EXTENTS AND BOUNDARIES:
 These drawings combine survey and site information produced by others and as such should be verified for accuracy.
 Existing site information, context, surrounding infrastructure, neighboring building extents and plots are derived from 2D Surveys, produced by:
 'Sumo Services Ltd'
 Drawing numbers: SOR018502 / SOR018561 / SOR018539
 Date of creation: 17.12.2020 / 14.01.2021 / 09.12.2019
 'Aworth Survey Consultants'
 Drawing numbers: 3553-2/5/6/7
 Date of creation: 18.12.2009
 The application boundary has been derived by title plan and land ownership reports and produced by:
 Velocity Transport
 Drawing no: 4060-1100-T-023
 Produced: Dec 20
 Spot levels are defined as AOD and reflected in metres



revision	date	amendment
P01	01-10-2021	Amendments Pre Planning Submission
P02	15-10-2021	Planning
P03	25-03-2022	Planning Revision A



MORRIS+COMPANY
 15 Mare Street, London, E8 3GE
 Tel: +44 (0)20 7585 7440
 www.morrisandcompany

job title
Aberfeldy Village

drawing title / location
PLOT J - PROPOSED GROUND FLOOR PLAN

status
S4 - FOR APPROVAL

scale
As indicated @ A1

project	originator	zone	level	type	role	number	status - revision
A303	MCO	BJ	00	DR	A	06170	P03

© Morris+Company Ltd.