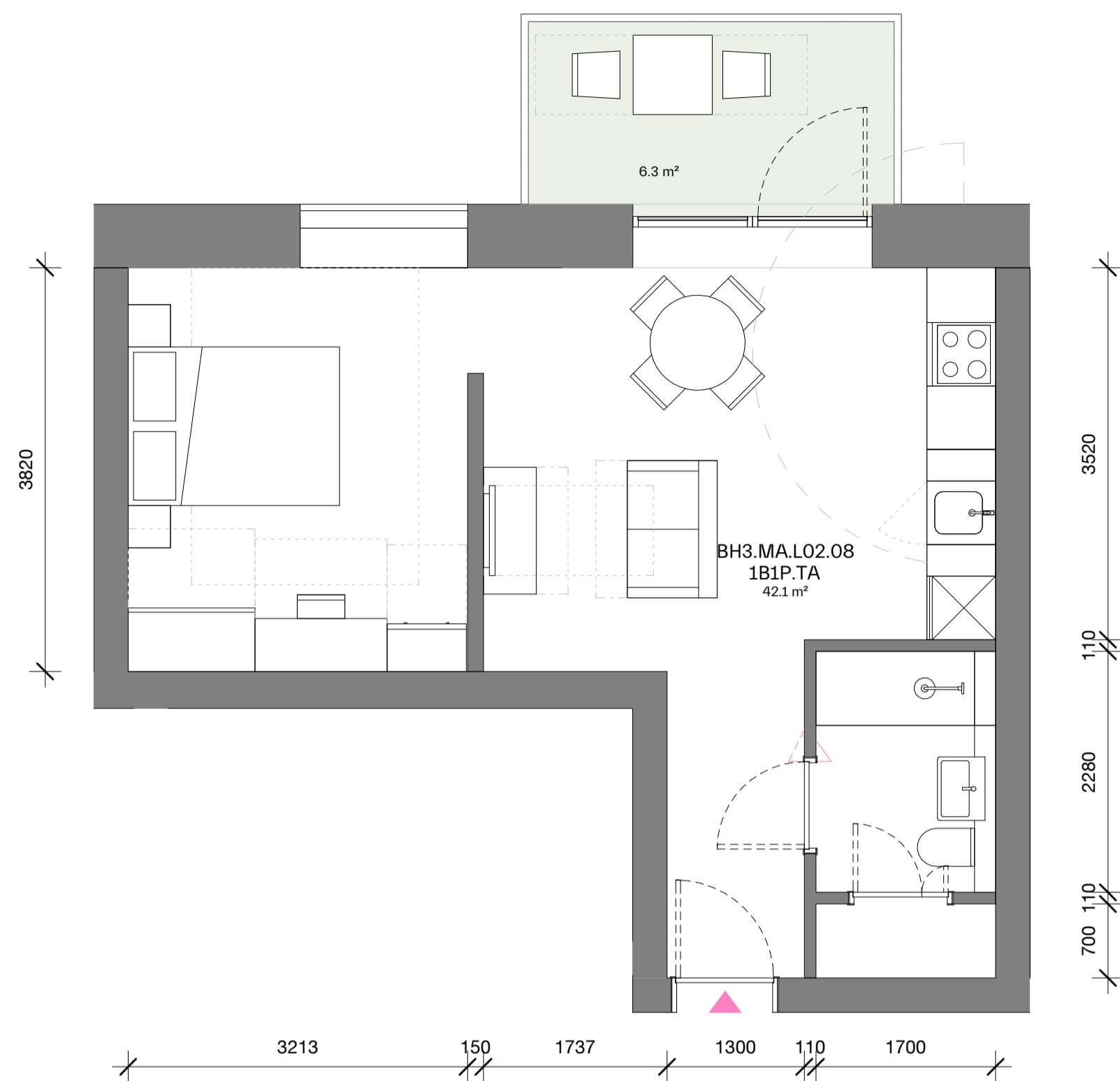
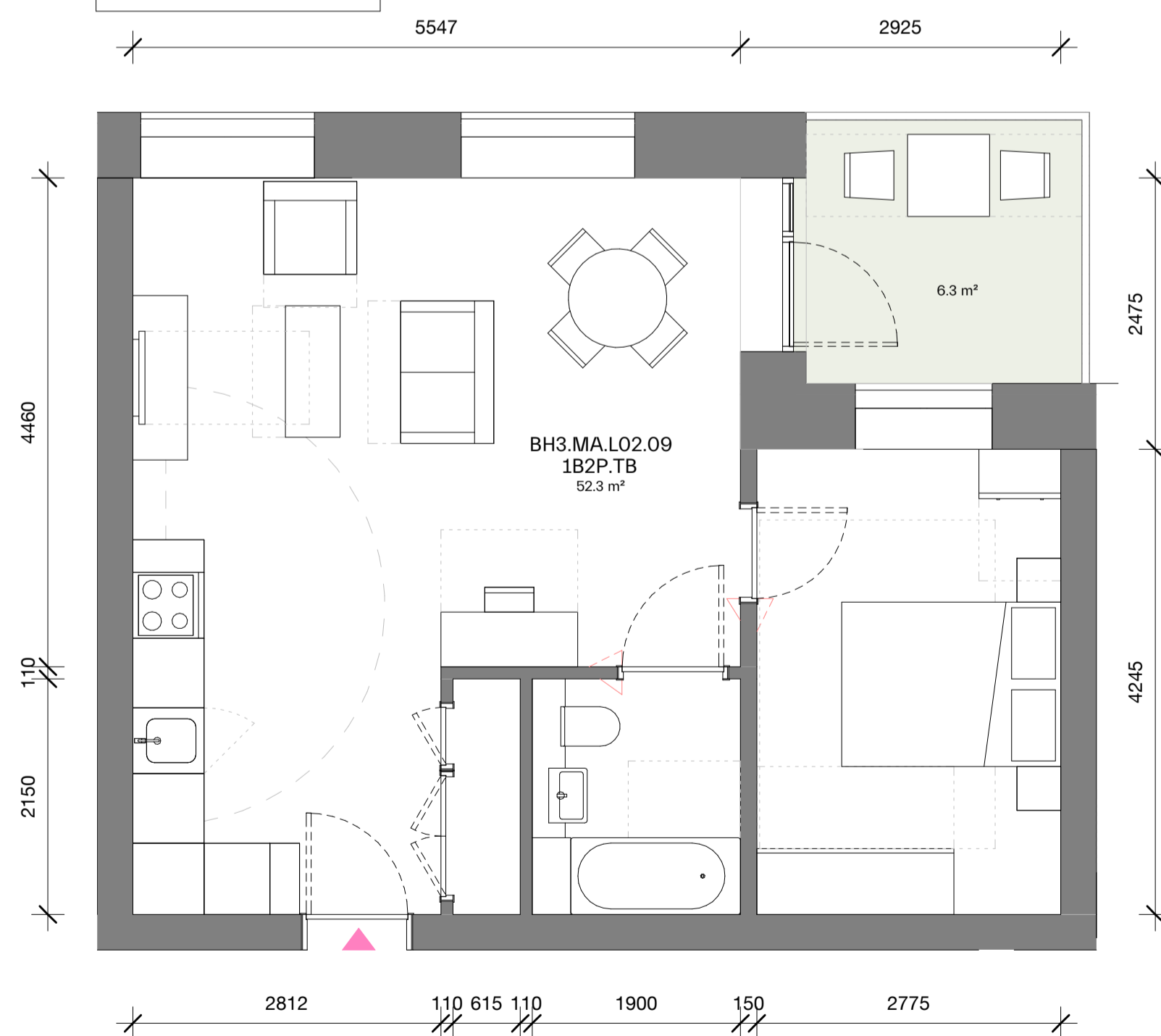


Unit Type 1B1P.TA handed on L02-04

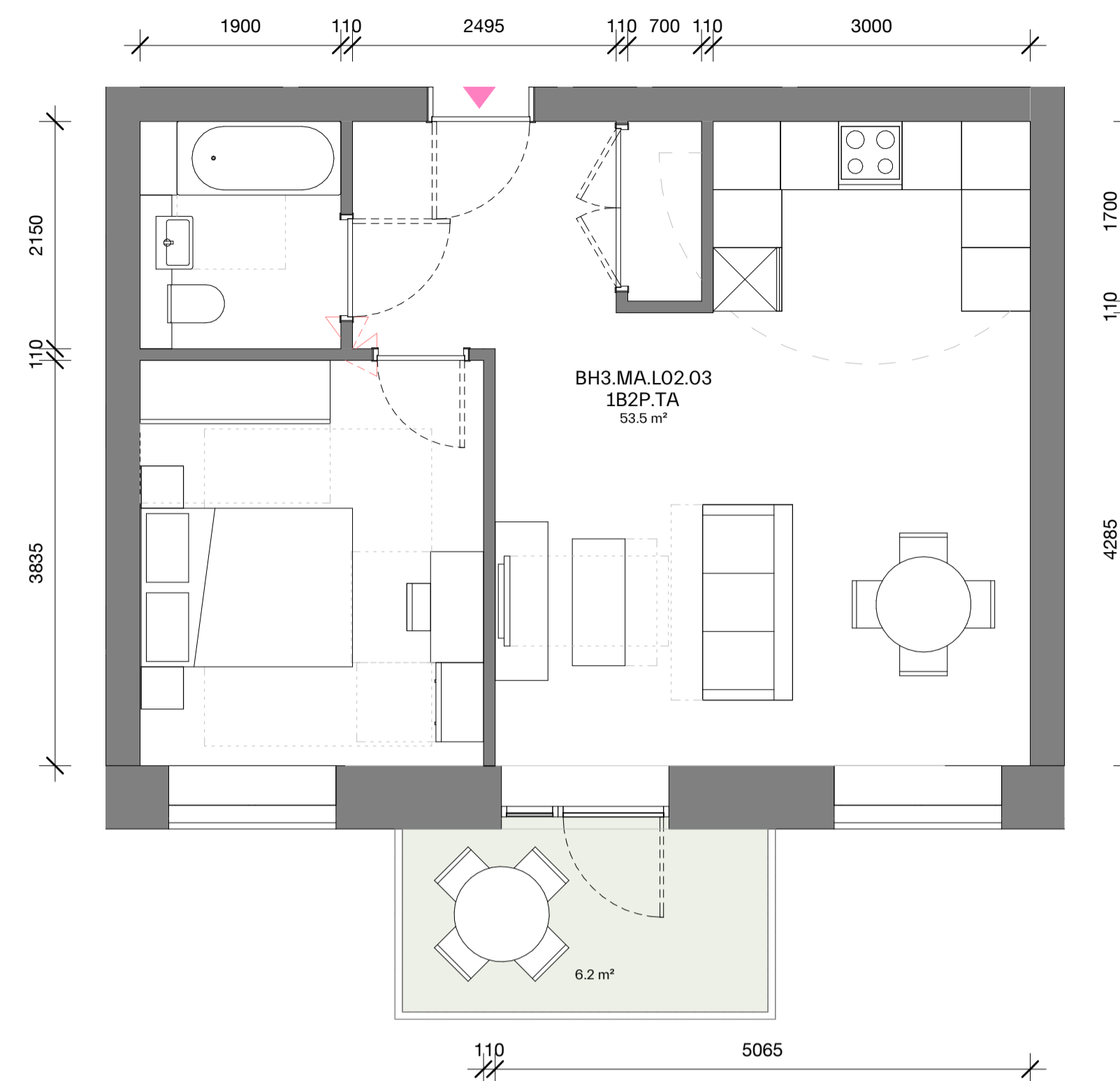


1 BH3 PLD 50_1B1P_Type A_L02-04
06442 1 : 50

Unit Type 1B2P.TB handed on L02-04



3 BH3 PLD 50_1B2P_Type B_L02-04
06442 1 : 50



2 BH3 PLD 50_1B2P_Type A_L02-04
06442 1 : 50

SUPPLEMENTARY INFORMATION:
These drawings reflect the current position of the scheme development at RIBA Stage 2, they should be read in conjunction with the following information prepared by Morris+Company:
- Aberfeldy Village, Phase A, Design and Access Statement
Drawings should be read in conjunction with information prepared by other consultants (where applicable):
- Landscape Design Drawings (LDA)
- Structural Engineers Drawings and Specification (MEINHARDT)
- MEP Engineers Drawings and Specification (MEINHARDT)

EXTENTS AND BOUNDARIES:
These drawings combine survey and site information produced by others and as such should be verified for accuracy.

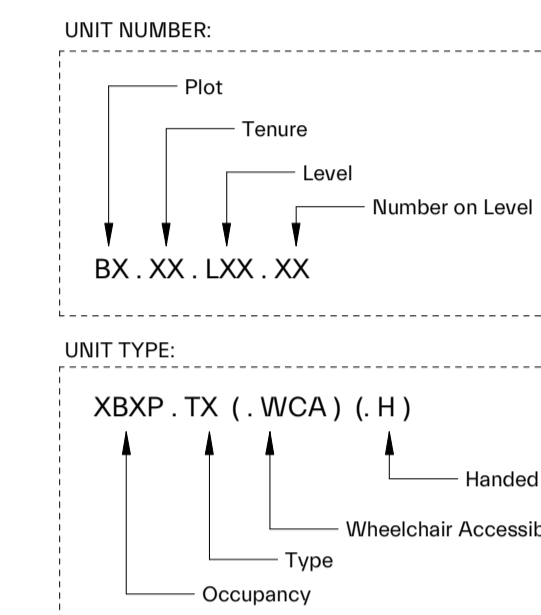
Existing site information, context, surrounding infrastructure, neighboring building extents and plots are derived from 2D Surveys, produced by:

'Sumo Services Ltd'
Drawing numbers: SOR018502 / SOR018561/ SOR016539
Date of creation: 17.12.2020 / 14.01.2021 / 09.12.2019
'Aworth Survey Consultants'
Drawing numbers: 3553-2/5/6/7
Date of creation: 18.12.2009

The application boundary has been derived by title plan and land ownership reports and produced by:
Velocity Transport
Drawing no: 4060-1100-T-023
Produced: Dec 20

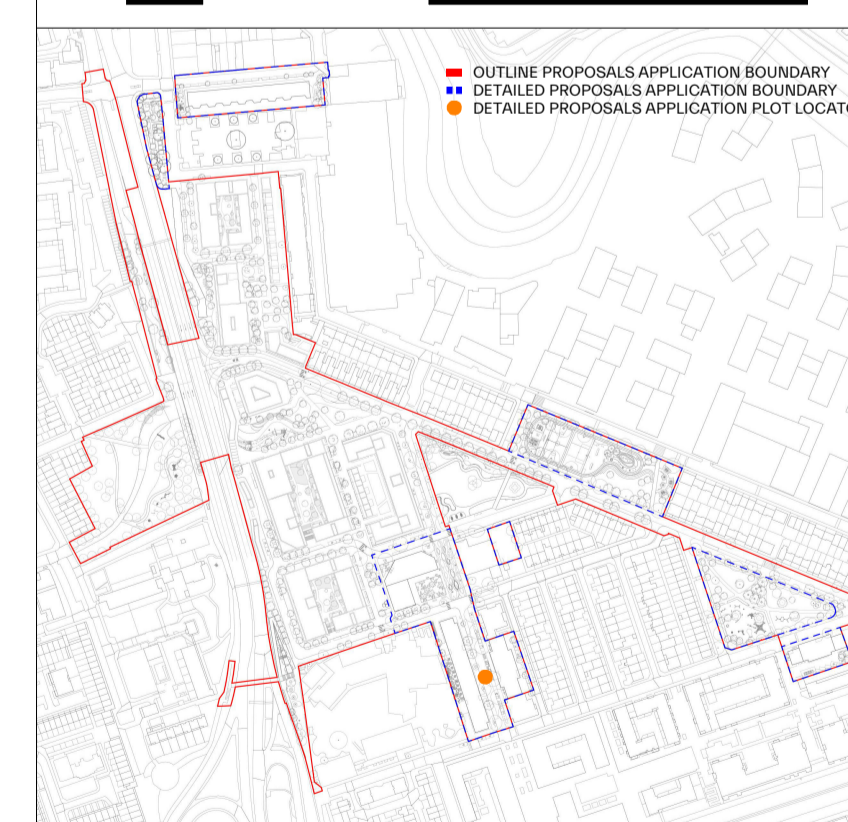
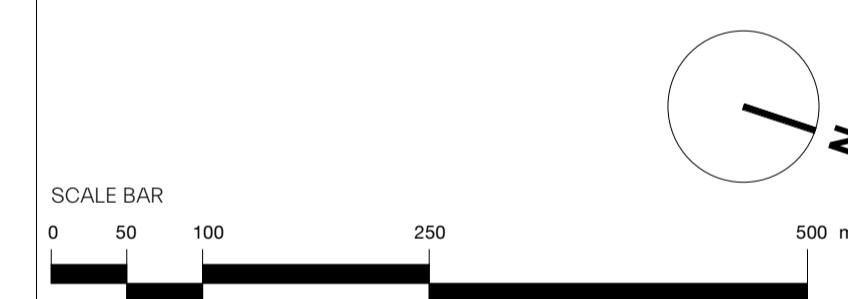
Spot levels are defined as AOD and reflected in metres

NOTES:



P03	25-03-2022	Planning Revision A
P02	15-10-2021	Planning
P01	01-10-2021	Amendments Pre Planning Submission

revision date amendment



MORRIS+COMPANY
15 Mare Street, London, E8 3GE
Tel: +44 (0)20 7585 7440
www.morrisandcompany.com

- Do not scale from this drawing
- All dimensions to be checked on site by the Contractor
- And such dimensions to be their responsibility
- Report all drawing errors and omissions to the Architect
- All dimensions in millimeters unless noted otherwise
- If in doubt ask Contract Administrator

job title							
Aberfeldy Village							
drawing title /							
PLOT H3 - PROPOSED MA UNIT LAYOUTS							
status		S4 - FOR APPROVAL					
scale		As indicated @ A1					
project	originator	zone	level	type	role	number	revision
A303	MCO	BH	ZZ	DR	A	06442	P03