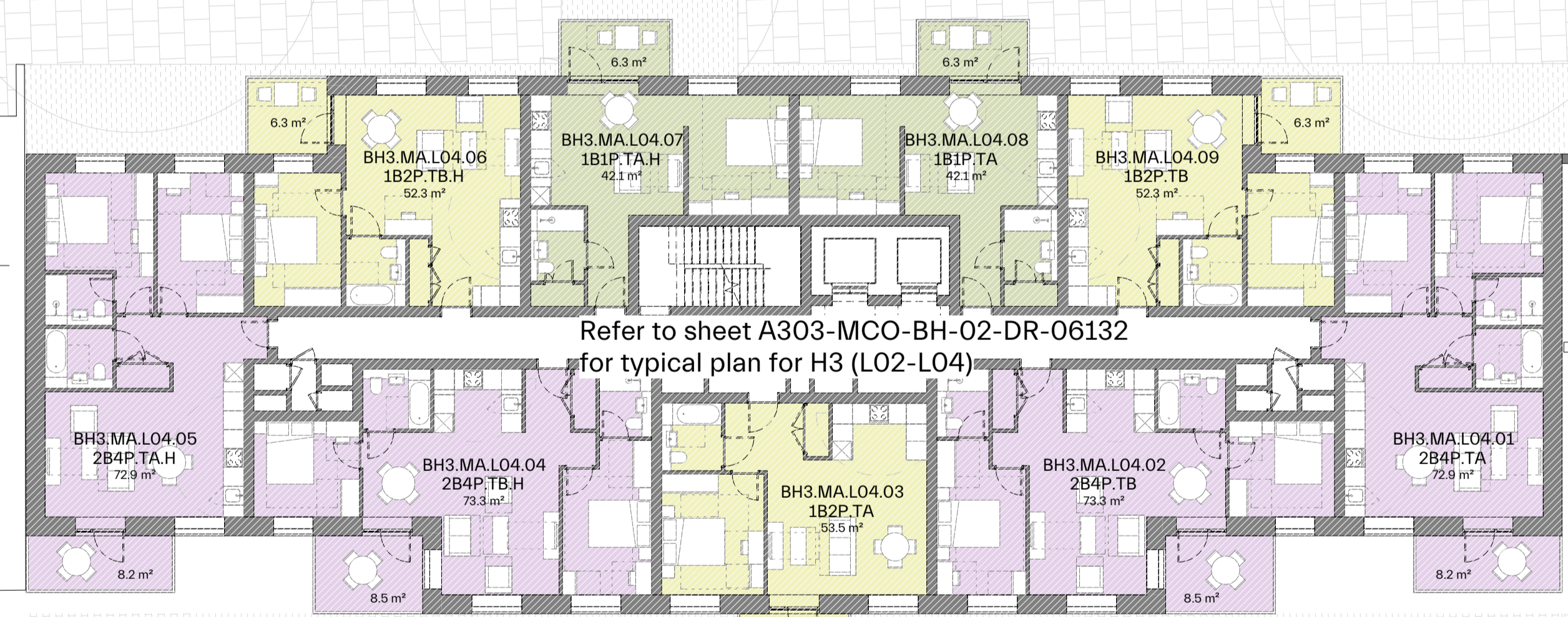


BH1/2 typical plan (L04, 06)



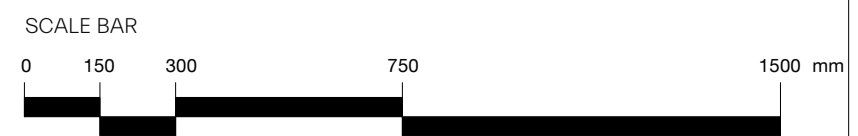
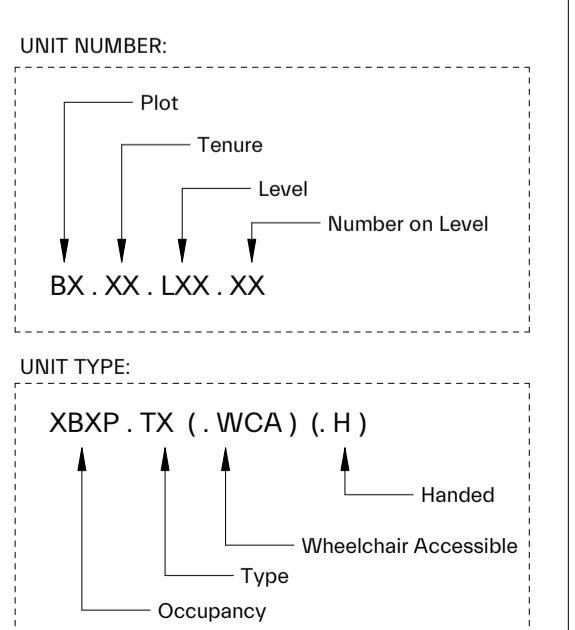
Refer to sheet A303-MCO-BH-02-DR-06132 for typical plan for H3 (L02-L04)

1 BH PLN 04  
06134 1 : 150

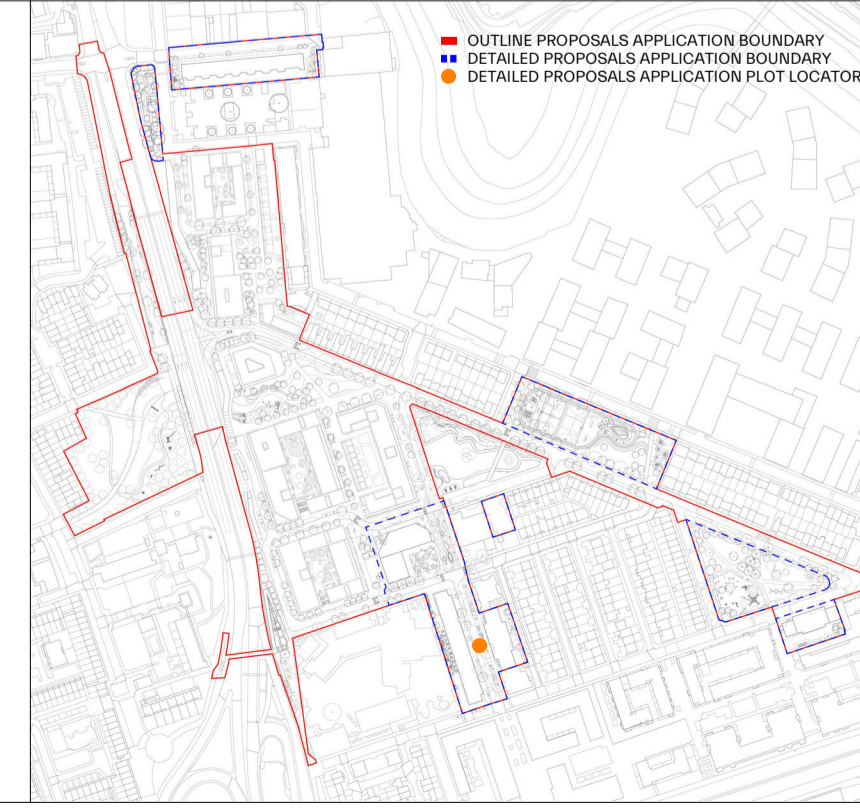
**SUPPLEMENTARY INFORMATION:**  
These drawings reflect the current position of the scheme development at RIBA Stage 2, they should be read in conjunction with the following information prepared by Morris+Company:  
- Aberfeldy Village, Phase A, Design and Access Statement  
Drawings should be read in conjunction with information prepared by other consultants (where applicable):  
- Landscape Design Drawings (LDA)  
- Structural Engineers Drawings and Specification. (MEINHARDT)  
- MEP Engineers Drawings and Specification. (MEINHARDT)

**EXTENTS AND BOUNDARIES:**  
These drawings combine survey and site information produced by others and as such should be verified for accuracy.  
Existing site information, context, surrounding infrastructure, neighboring building extents and plots are derived from 2D Surveys, produced by:  
- Sumo Services Ltd  
Drawing numbers: SOR018502 / SOR018561 / SOR018539  
Date of creation: 17.12.2020 / 14.01.2021 / 09.12.2019  
- 'Aworth Survey Consultants'  
Drawing numbers: 3553-2/5/6/7  
Date of creation: 18.12.2009  
The application boundary has been derived by title plan and land ownership reports and produced by:  
Velocity Transport  
Drawing no: 4060-1100-T-023  
Produced: Dec 20  
Spot levels are defined as AOD and reflected in metres

**NOTES:**  
**Room Key:**  
1B1P  
1B2P  
2B3P / 2B4P  
2B3P / 2B4P WCA  
3B5P / 3B6P  
3B5P / 3B6P WCA  
4B7P



revision	date	amendment
P01	01-10-2021	Amendments Pre Planning Submission
P02	15-10-2021	Planning
P03	25-03-2022	Planning Revision A
P04	06-09-2023	GLA 2 Stair Planning Addendum



**MORRIS+COMPANY**  
15 Mare Street, London, E8 3GE  
Tel: +44 (0)20 7565 7440  
www.morrisandcompany.com

- Do not scale from this drawing  
- All dimensions to be checked on site by the Contractor  
- And such dimensions to be their responsibility  
- Report all drawing errors and omissions to the Architect  
- All dimensions in millimeters unless noted otherwise  
- If in doubt ask Contract Administrator

job title  
**Aberfeldy Village**

drawing title / location  
**PLOT H - PROPOSED FOURTH FLOOR PLAN**

status **S2 - FOR INFORMATION**

scale **As indicated @ A1**

project	originator	zone	level	type	role	number	status - revision
A303	MCO	BH	04	DR	A	06134	P04

© Morris+Company Ltd.