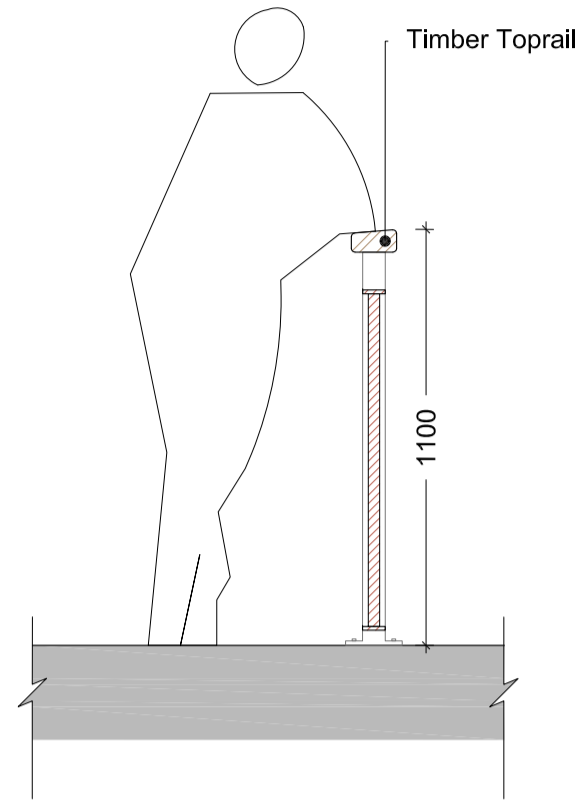
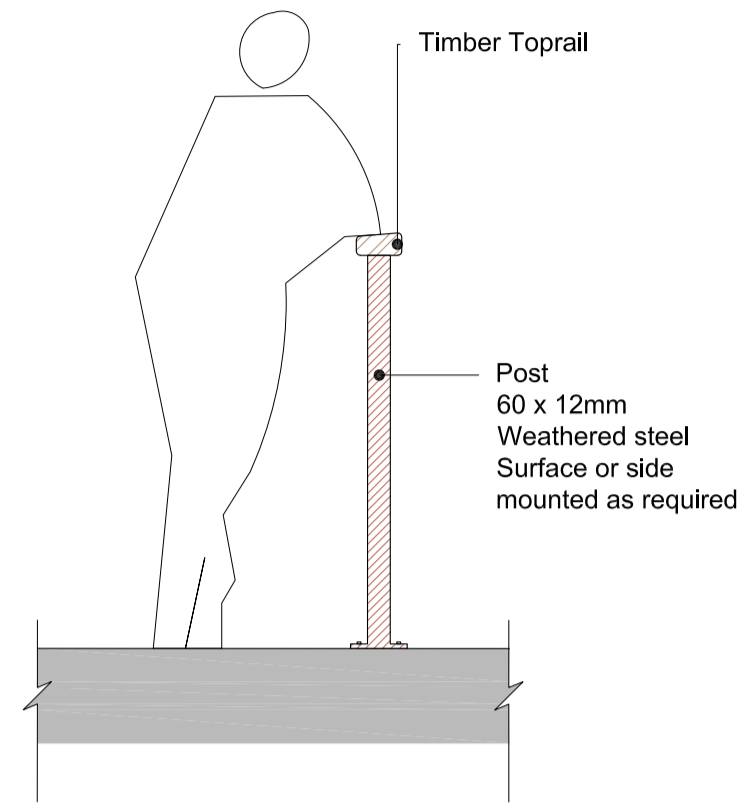


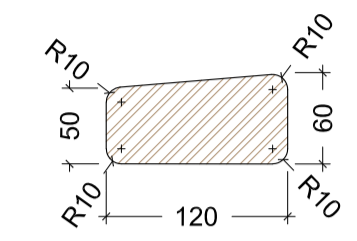
01 Typical Balustrade Elevation
SCALE: 1:20



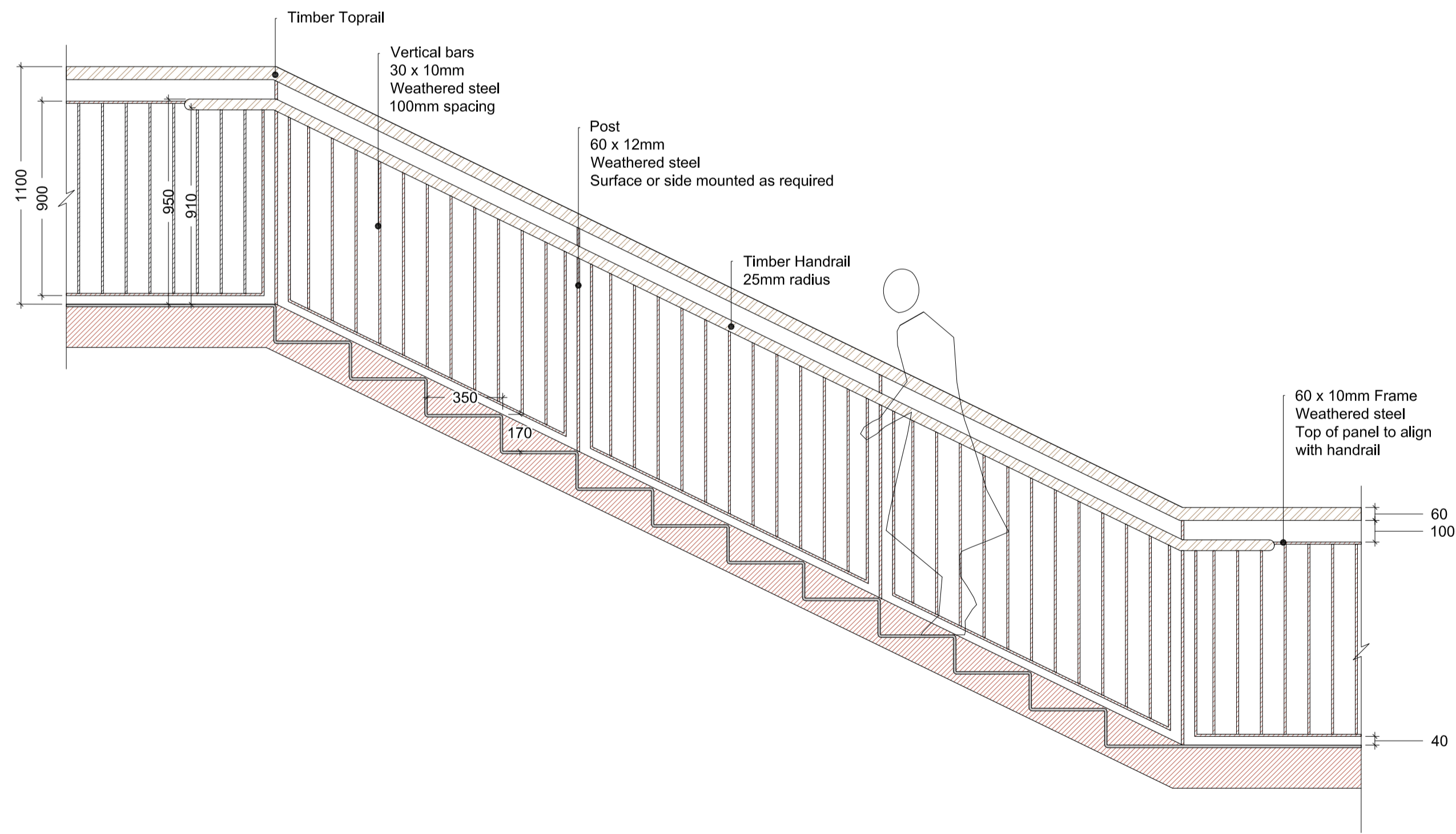
02 Typical Balustrade Section
SCALE: 1:20



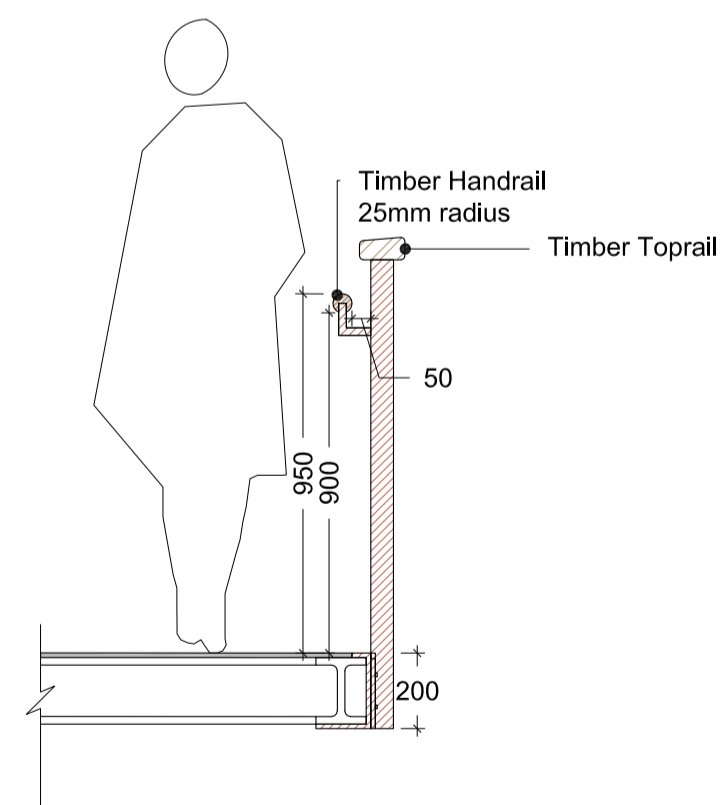
03 Typical Balustrade Section
SCALE: 1:20



04 Toprail Detail
SCALE: 1:5



05 Typical Steel Stair Balustrade Section
SCALE: 1:20

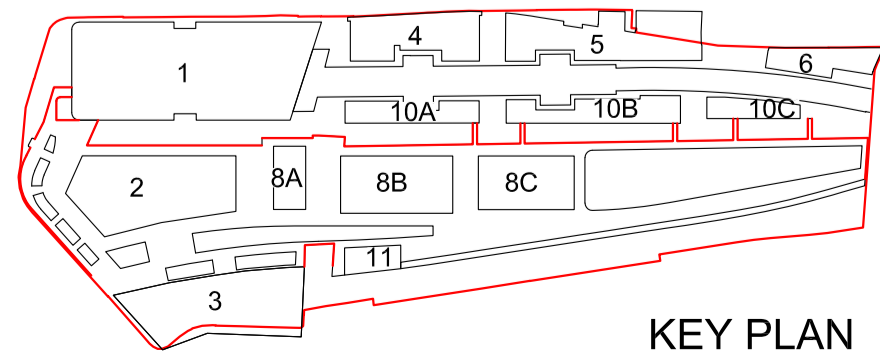


06 Typical Steel Stair Balustrade Section
SCALE: 1:20

Rev	Date	Description	By	Chk
xx	xxxx/xx	xxx	xxx	xxx

Rev	Date	Description	By	Chk

Notes:
 -All construction details to Engineer's detail and specification
 -Construction levels to Engineer's drawings and specifications
 -Drainage and waterproofing to Engineer's drawings and specifications
 -All dimensions in millimeters
 -Do not scale from drawings
 -For general arrangements refer to 94200 series drawings
 -For sections refer to 94500 series drawings
 -For details refer to 94600 series drawings
 -For feature structures and stairs refer to 94900 series drawings



KEY PLAN

Project	The Goodyard
Client	Bishopsgate Goodyard Regeneration Ltd
Drawing title	DETAILS Balustrade

Drawing status	Reserved Matters Application	Drawn by	SB
Date	07/09/2023	Checked	GC
Drawing number	BGY-SPA-SW-PX-DR-L-94608	Rev	P01
Scale	AS SHOWN @ A1	Scale	AS SHOWN @ A1

Scale as shown

SPACEHUB

7 Gibraltar Walk, London, E2 7LH
 +44 (0)20 7739 6699
 www.spacehubdesign.com
 Do not scale from this drawing, copyright reserved